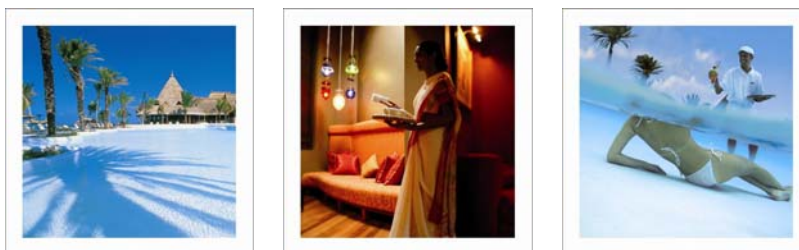


All information correct as at February 2008 (subject to change without notice)

BEAU RIVAGE

I L E M A U R I C E



The setting is marvellous, with one of the widest and finest sandy beaches on the east coast and a crystal-clear lagoon, fabulous in its intensity. The 5-star Deluxe Beau Rivage is one of Mauritius' leading hotels and the flagship of the Naïade Resorts Group. It has a natural class and relaxed elegance, largely thanks to the well-trained and friendly staff.

Rating

5 star Deluxe

Distance

Airport: 45km
Capital (Port-Louis): 50km

Key Points

- Beau Rivage hotel reflects the various cultures of the island; Mauritius' African, Indian, Chinese and European mixed heritage
- A long stretch of white sandy beach
- A magnificent 2,000 m² pool, one of the biggest in Mauritius overlooking the lagoon
- A choice of four restaurants and two bars, including Indouchine with a new approach of French cuisine
- A 24-hour Butler service
- 2 conference rooms
- Wi-Fi coverage

Accommodation

141 Junior Suites: 60 m²

4 Lagoon Suites: 90 m² (Closest to the beach)

5 Honeymoon Suites: 90 m²

2 Senior Suites: 100 m² (1 Chinese & 1 African)

1 Maharajah Suite: 240 m²

Rooms and Suites Sharing Policy

Junior Suites can accommodate 2 adults, 2 adults and a teenager, 2 adults and 2 children or 2 adults and a baby

Lagoon Suites can accommodate 2 adults, 2 adults and a teenager, 2 adults and 2 children or 2 adults and a baby

Honeymoon Suites can accommodate 2 adults

Senior Suites can accommodate 2 adults or 2 adults and a baby

Maharajah Suite can accommodate 2 adults or 2 adults and a baby and can be connected with a Junior Suite and then can accommodate 6 persons

Note:

Baby: under 3 years old

Child: 3-11 years old

Teenager: 12-17 years old

Junior Suites (60 m²)

The Junior Suites are spacious and airy, with terraces looking out over lush tropical gardens and the sparkling ocean beyond. Each Suite has a small dressing room and spacious bathroom, with a large walk-in shower, two washbasins, a bath and a separated toilet. Many of the Junior Suites have interconnecting suites adjoining.

Lagoon Suites (90 m²)

The Lagoon Suites offer wonderful views of the lagoon. Just imagine watching the moonrise as you relax in your own whirlbath!

Honeymoon Suites (90 m²)

The Honeymoon Suites wraps newly weds in an exotic, colonial feeling and the voluptuous atmosphere is enhanced by the magnificent four poster bed and the softness and charm of Brazilian rosewood flooring. The large terraces are ideal for a romantic breakfast or for dinner tête-à-tête.

African Suite (100 m²)

Masks, grass furnishings and rustic solid wood furniture enliven the décor so that you can almost hear the distant sound of the drums. From the Suite, there is direct access to the garden.

Chinese Suite (100 m)

This jewel of a suite, set in a richly decorated interior and with attention given to every detail, breathes with Asian art de vivre, tinted with exotic local touches.

Maharajah Suite (240 m²)

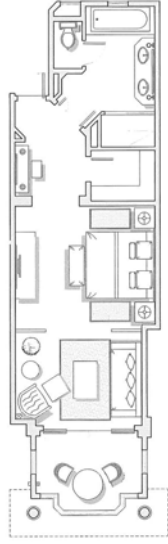
Palatial is the only word to describe the Maharajah Suite. The doors open to reveal its rich and sumptuous finery. Decorated throughout with furniture and accessories brought directly from India, the suite breathes luxury.

From the terrace of the Suite, a spiral staircase leads to the Suite's private rooftop solarium and whirlpool. There is a connecting suite for those with a family or a couple of friends.

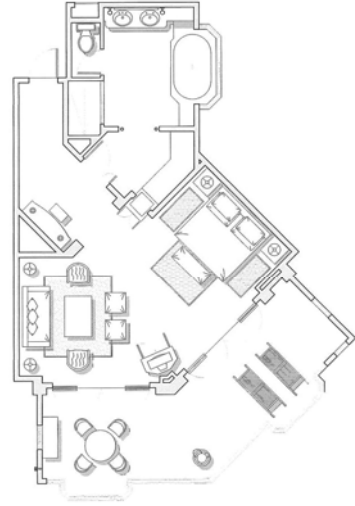
A personal butler is at guests' disposal throughout their stay.

Suites Facilities

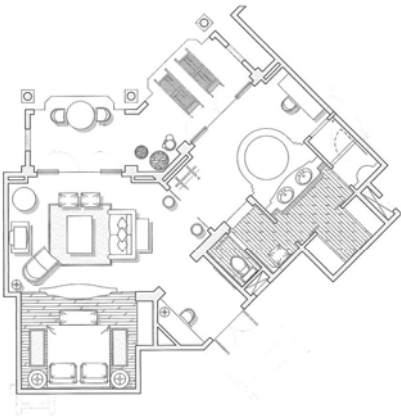
- All suites have a private and furnished balcony or terrace facing the sea
- Butler service in all suites categories
- Complimentary ironing service on first arrival
- Air-conditioning and ceiling fan
- Bathroom with bath, separate shower and separate toilets
- Satellite television and music channels
- LCD flat screen TV and DVD players in all suites
- Telephone with international direct dialing
- Mini bar
- Safe
- Hair-dryer, shaver socket and magnifying mirror
- Complimentary tea and coffee facilities
- Private whirlbath in the Lagoon, Honeymoon, Senior and Maharajah suites
- 220/240 volts electric sockets



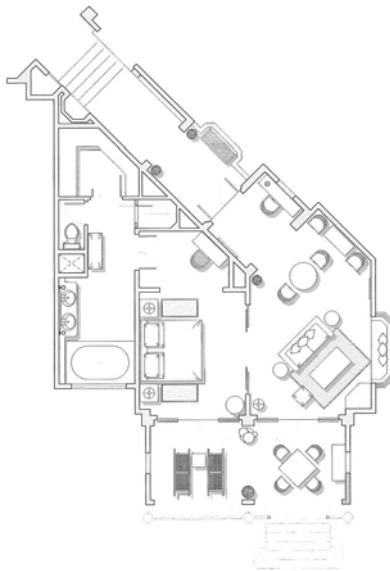
Junior Suite



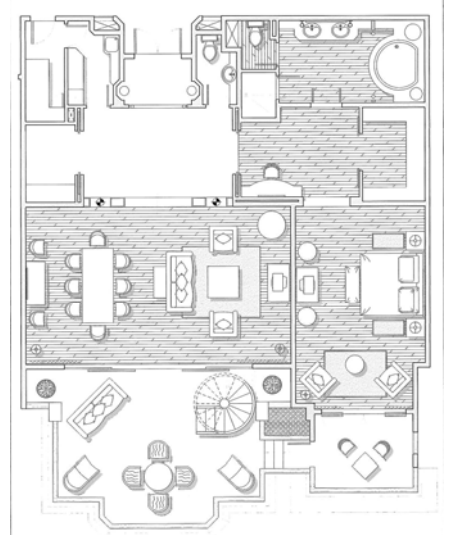
Lagoon Suite



Honeymoon Suite



Senior Suite



Maharajah Suite

Restaurants & Bars

Rive Gauche

(7.30 a.m. – 10.30 a.m. and 7 p.m. – 10.00 p.m.)

Seats: 220

The main restaurant is open for breakfast and dinner, when it serves a variety of tables d'hôte, buffets and gala dinners. The themed buffets conjure up all the magic of Asia, Africa and Mauritius.

La Méditerranée

(12.30 – 4 p.m. and 7.30 – 10 p.m.)

Seats: 80

La Méditerranée has a relaxed air, right by the beach, feet in the sand. This is the place to try local, Mauritian dishes, as well as Mediterranean specialties such as pizzas and huge salads. Open for lunch and dinner.

Indouchine

(7.30 p.m. – 10.30 p.m.)

Seats: 45

Indouchine is synonymous with the best of fine dining, where French haute cuisine is flavoured with little Indian and Chinese touches to produce pure gastronomic delight. The Chef's speciality is pan-fried foie gras that has never seemed so wonderful, and the Chocolate soufflé is divine. Open for dinner only.

Le Langoustier

(7.30 pm – 10 p.m.)

Seats: 40

This elegant seafood restaurant is set on its own terrace, overlooking the pool and the lagoon beyond and is perfect for a romantic evening.

Club Savanne

(4 p.m. - 1.30 a.m.)

With hints of Africa, Club Savanne is the ideal place to enjoy an exotic cocktail and a whole range of local and international brands, or a Cuban cigar from Beau Rivage's private collection.

Monsoon Lounge & Bar

(10 a.m. – 1.30 a.m.)

The atmosphere is one of colonial luxury, with furniture and furnishing inspired by the East Indies trade route. Guests sit here in the evening to watch the evening entertainment.

All day service of light lunch and cocktails.

24-hour Room Service

Beach Service

Light fruit treats, cocktails & drinks available throughout the day right under your beach umbrella.

Private Dining

Beau Rivage offers an array of dining alternatives from romantic celebration for couple to private dinner party for families and friends.

Evening Entertainment

Every evening, guests are entertained by local artists with music and dancing.

Dress Code:

Beachwear all day long (no uncovered swimming attire during breakfast nor lunch) and “smart casual” as from 6.30pm

Well-being and Leisure

Water Sports

Swimming Pool is exceptional (2,000 m²) with separate children area.

Free of charge: windsurfing, pedal boats, kayaks, aqua gym, mini sails, snorkeling, glass-bottom boat rides and water-skiing.

For a fee: speedboat rides, scuba diving (P.A.D.I 5 stars) and big game fishing.

Land Activities

Free of charge: gym, beach volley, stretching, table tennis, bocci balls, floodlit tennis courts and mini-golf, Yoga and Tai-Chi.

For a fee: mountain bikes, snooker and computer games.

Two championship golf courses are close to the hotel.

Spa

In a relaxing and refined atmosphere, the complex offers 9 massage rooms in which 2 are double rooms, a Vichy shower treatment room, 2 massage kiosks, a sauna, a hammam, a whirlpool and a hairdressing salon.

The Spa also proposes body and face signature treatments by Payot.

Kids and Teens

The **Kids Club** (9 a.m. to 10 p.m.) has a lovely atmosphere, with a large room for activities and a fenced garden play area outside. The qualified hostesses really know how to get on with children, as they look after and entertain youngsters from 3 to 12. A babysitting service is also available on request, for a fee.

The **Teens Club** arranges a whole range of activities for those aged 12 and over, including a number of optional excursions outside the hotel. The club is open during school holidays.

Conference Rooms

Beau Rivage has excellent facilities for incentive groups, with many opportunities for team building activities

There are two conference rooms:

- The Atlantide is an air-conditioned conference room (135 m²), seating 80 theatre-style or 40 boardroom-styles.
- The smaller Oceanide (26 m²) is suitable for groups of about 14 seated boardroom-style.

Standard equipment is provided on a complimentary basis for residents, including a flipchart, lectern, overhead projector, pads and pencils.

A wide variety of refreshment packages is also available (with supplement).

The hotel also provides secretarial and other office services such as photocopying, fax, internet and e-mail facilities (with supplement).

Other Facilities

Concierge service, car rental, limousine service, sightseeing tours, boutiques, infirmary, library, games room, laundry service, internet access in the E-Lounge, Wi-fi throughout the hotel